

SPARE PARTS SECTION

MOTORIZED HYDRAULIC PRESS

Model
HPM-50

Order Code P131M

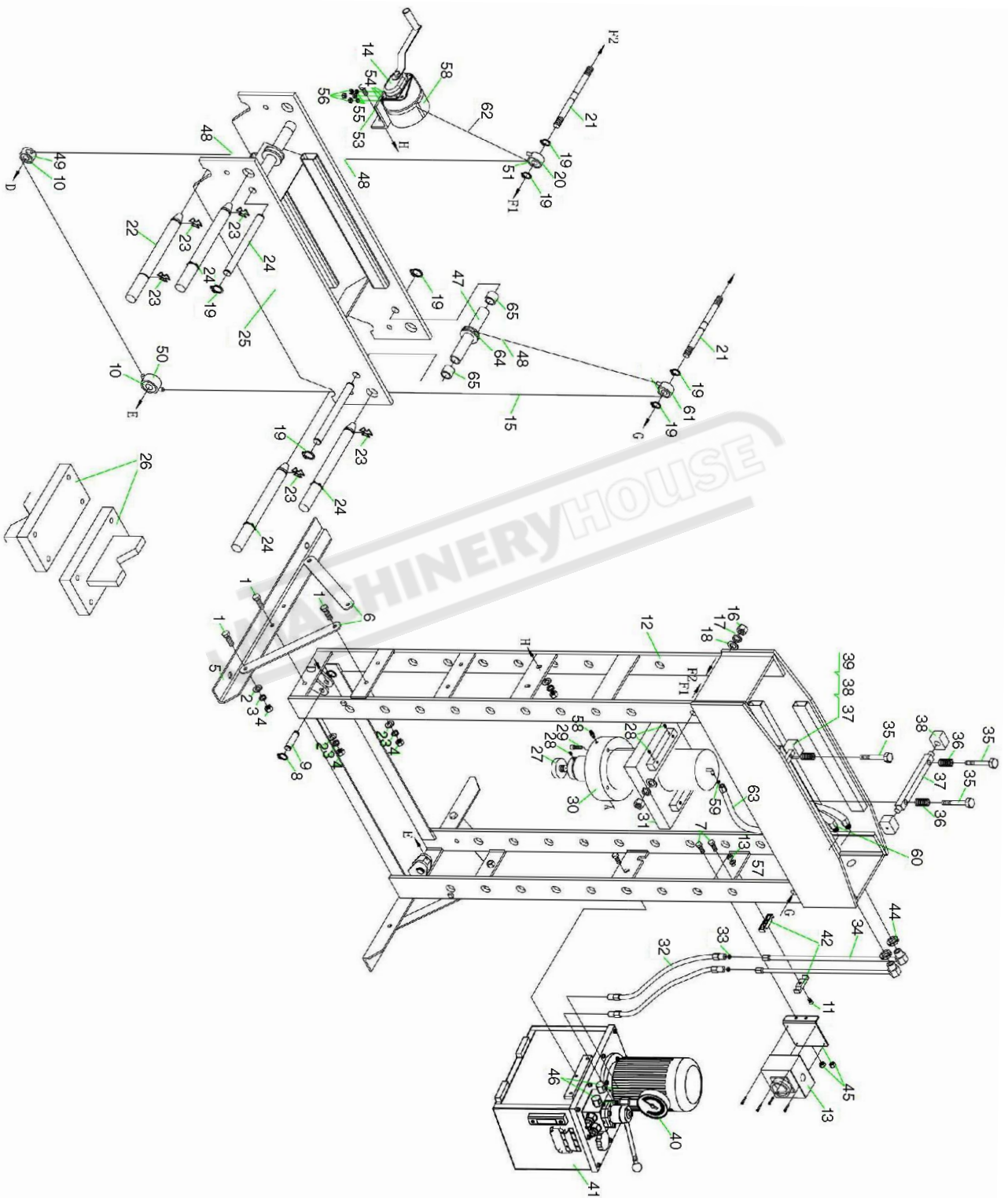
EDITION No : HPM-50-1
DATE OF ISSUE : 10/2023

The following section covers the spare parts diagrams and lists that were current at the time this manual was originally printed. Due to continuous improvements of the machine, changes may be made at any time without notification.

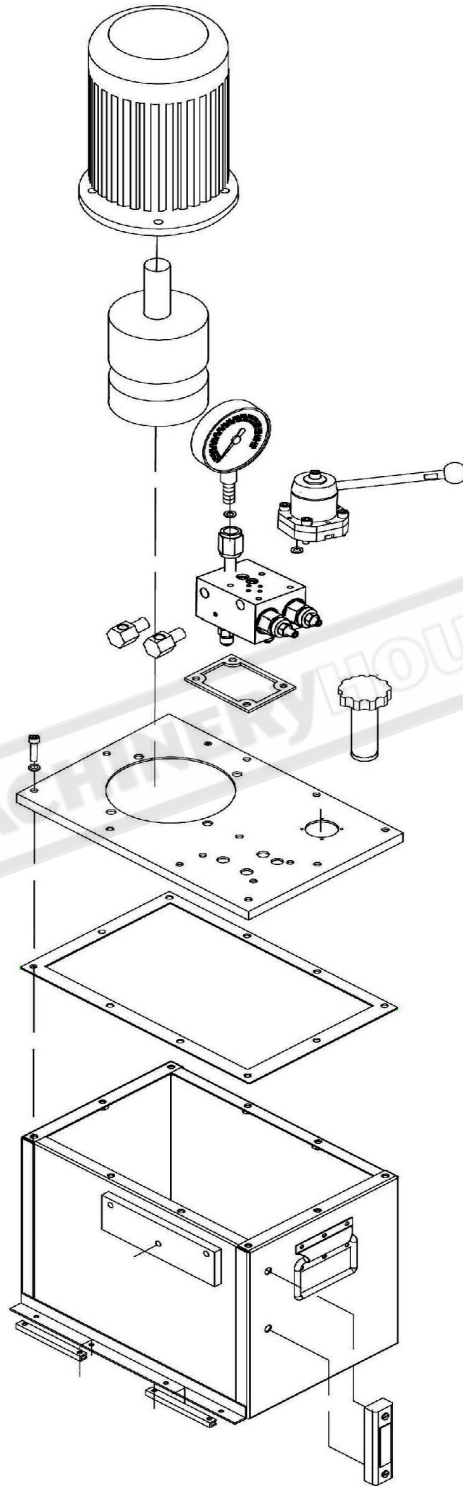
HOW TO ORDER SPARE PARTS

1. Have your machines **model number, serial number & date of manufacture** on hand, these can be found on the specification plate mounted on the machine
2. A scanned copy of your parts list/diagram with required spare part/s identified
3. Go to www.machineryhouse.com.au/contactus and fill out the enquiry form attaching a copy of scanned parts list.

HPM-50 SPARE PARTS DIAGRAM



HPM-50 PUMP SPARE PARTS DIAGRAM



NOTE: SOME INDIVIDUAL PARTS MAY ONLY BE AVAILABLE AS AN ASSEMBLY

WIRING DIAGRAM

